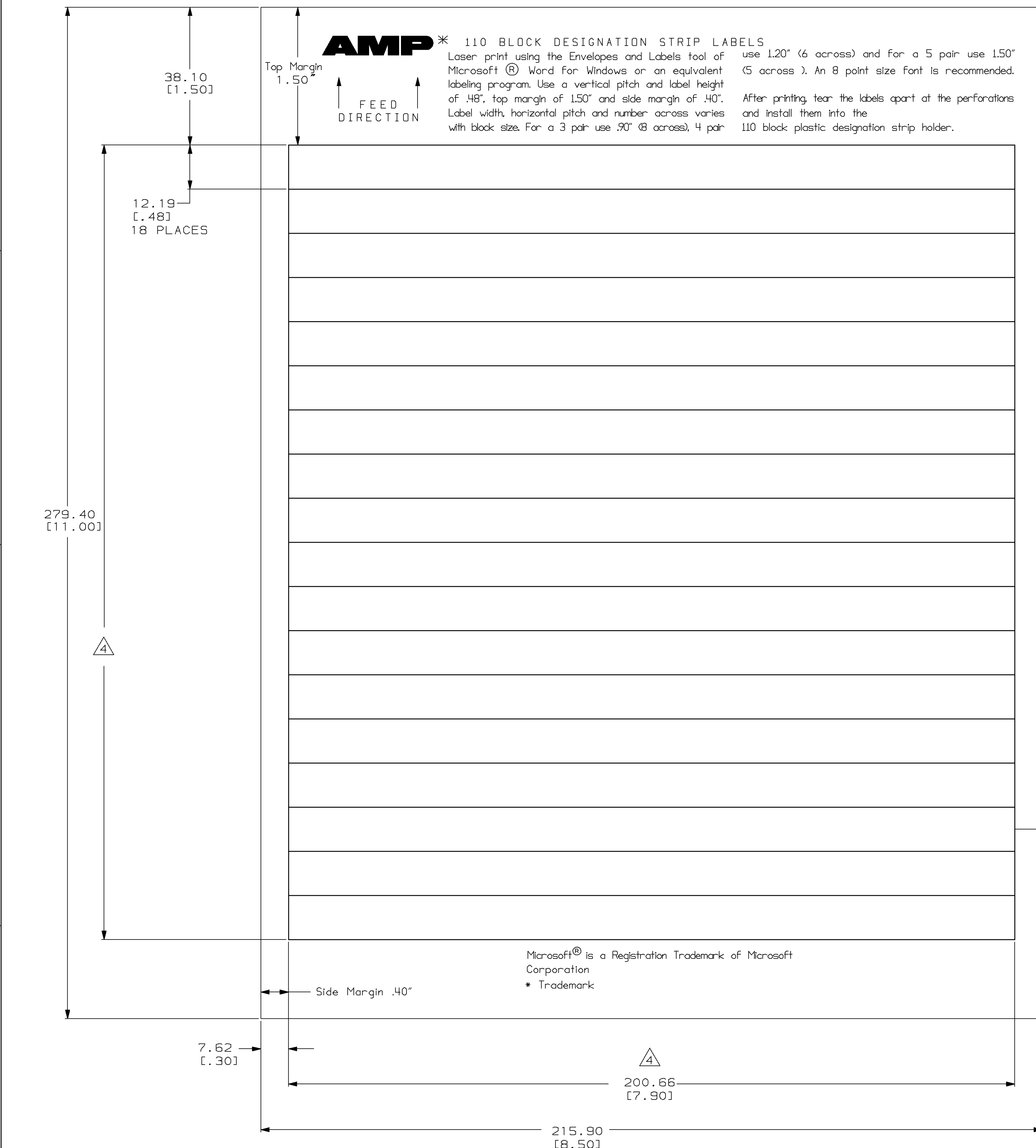
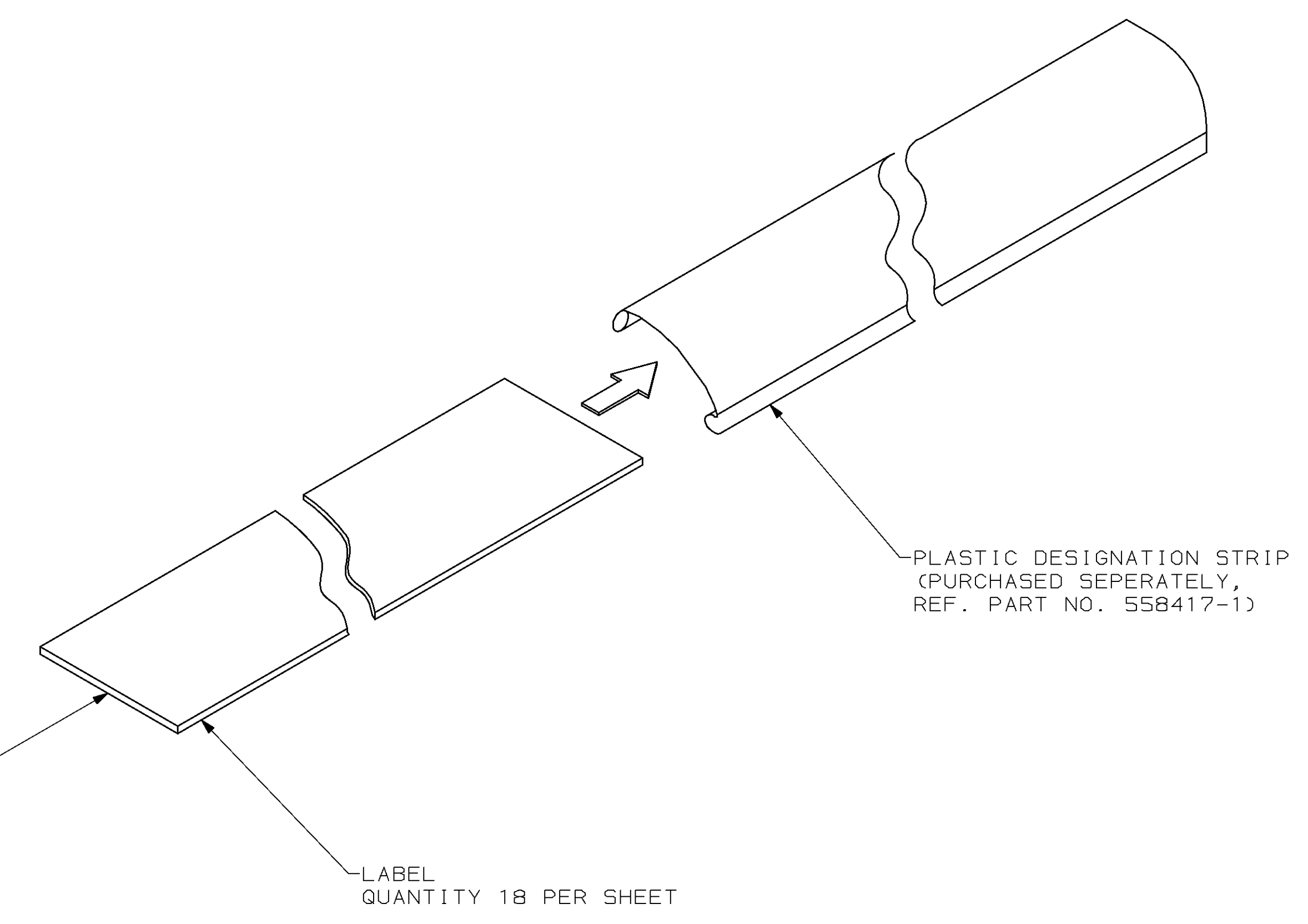


LOC	DIST	REVISIONS			
P	LTN	DESCRIPTION	DATE	DWN	APVD
B		REV; EC 067A-0002-98	23JUL98	GG	SH



- 1. MATERIAL: 0.1905 [0.0075] THICK LASER PRINTABLE BLUE LABELS.
- 2. TEN SHEETS OF LABELS PER PACKAGE. 18 LABELS PER SHEET. TOTAL OF 180 LABELS PER PACKAGE.
- 3. INDIVIDUAL LABELS SEPERATED BY PERFORATIONS ON EACH SHEET.
- 4. AREA TO BE COLORED BLUE.
- 5. SEE RESTRICTED CUSTOMER DRAWING 3-1116034-1.



1116034-1
PART NO.

THIS DRAWING IS A CONTROLLED DOCUMENT.		DWN: S. GARRETT 11NOV97	AMP Incorporated	
DIMENSIONS: mm (INCHES)		CHK: G. GARRETT 11NOV97	Harrisburg, PA 17105-3508	
TOLERANCES UNLESS OTHERWISE SPECIFIED:		APVD: S. HERNDON 11NOV97	NAME: STRIPS, DESIGNATION, BLUE	
0 PLC ±.01	1 PLC ±.02	PRODUCT SPEC	SIZE: A1	CAGE CODE: 00779
2 PLC ±0.51 (.02)	3 PLC ±0.13 (.005)	APPLICATION SPEC	DRAWING NO: 1116034	SCALE: NONE
4 PLC ±.01	ANGLES ±.01	WEIGHT: -	SHEET: 1 OF 1	REV: B
MATERIAL: 1	FINISH: -	CUSTOMER DRAWING		

SHEET PRINTING LAYOUT